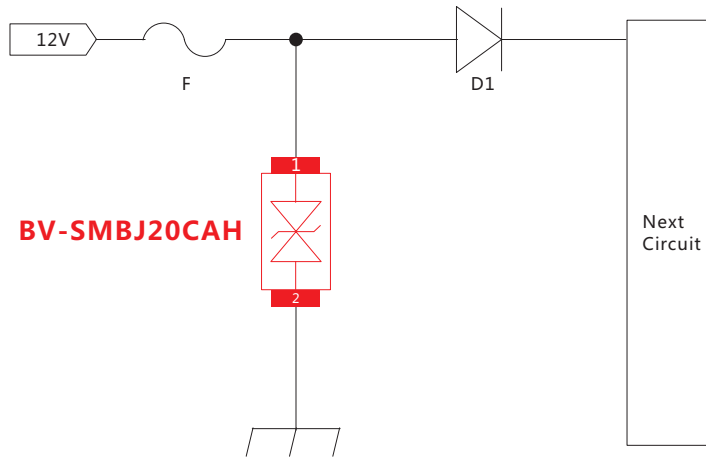


DC12V端口高度集成复合器件

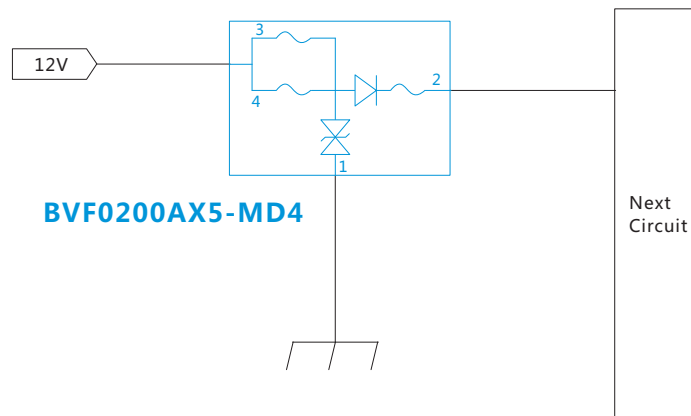
High integrated component for DC12V port

方案图/Solution



传统方案

 槟城电子创新方案



防护等级/Surge level

- IEC61000-4-5:2014
- 1.2/50 μ s-8/20 μ s
- DM:1KV (2 Ω)

优势/Features:

- 超薄、超小型化设计；应用更加简单；
Ultrathin, super miniaturization; more simple.
- 开路失效；
Fail-safe.
- 解决传统方案中保险丝无法兼顾雷击与过流保护的问题。
Solution to solve both over-voltage and over-current protection.

产品参数/Datasheet

	Part Number	Off state Voltage		Breakdown Voltage		Clamp Voltage		Surge	IPP@8/20(μ s)	Size
		V _{DRM} (V)	I _{DRM} 25°C(μ A) Max	V _{BR} (V) Min	I _R (mA)	V _C (V) Max	@ I _{PP} (A)	Waveform (μ s)	(A)	L*W*H (mm)
	BVF0200AX5-MD4	20	1	24.5	1	32.4	30.8	10/1000	500	5.0x3.2x1.6